



ORDERLINE
01905 823299

GENERAL ENQUIRIES
01905 823298

FAX
01905 823297

EMAIL
sales@akw-medicare.co.uk

www.akwmedicare.co.uk

ADDRESS
AKW Medi-Care Limited
Pointon Way
Hampton Lovett
Droitwich Spa
WR9 0LR

INTERNATIONAL ENQUIRIES
+32 (0)68 334899

FAX
+32 (0)68 331658

EMAIL
ism@akw-medicare.com

NATIONWIDE 24 HOUR DESPATCH SERVICE

UK mainland only. AKW stock most showering and bathing items featured in this catalogue.
Orders placed before 2pm for stocked items will be despatched on the same day.
The Independence Kitchen range is manufactured to order.



BS EN ISO 9001:2000 Cert No. 7878
Shower and bathroom equipment



AKW

delivering independence



Cert no. SGS-COC-005117
www.fsc.org
© 1996 Forest Stewardship Council

Fax: +44 (0)1905 823297

Email: sales@akw-medicare.co.uk

Website: www.akwmedicare.co.uk

Printed in England

© 2010 AKW Medi-Care Limited

Designed by rabm.co.uk

Uniclass L72107/9+L4422+L831-N5352	EPIC H123+D42+Q31:Y31107
CI/SIB (74.26)+(73)	x (U35)
January 2010	

2010 A RANGE OF BATHROOM PRODUCTS, SHOWERING ACCESSORIES, DAILY LIVING PRODUCTS AND KITCHEN PRODUCTS FROM AKW



PRODUCT CATALOGUE

TWENTY 10

BATHROOM PRODUCTS



INTRODUCTION	1
CONTENTS	2-3
PRODUCT DESIGN	4-5
WARRANTIES	5
NATIONAL SURVEYING	6
SPECIFYING / ORDERING PROCEDURE	7
SPECIFIERS GUIDE	8-9

AKW SHOWER TRAYS	10-101
BRADDAN RANGE	10-25
MULLEN® RANGE	26-37
SULBY RANGE	38-49
LOW PROFILE RANGE	50-57
MULTI SPEC RANGE	58-65
KEPPEL RANGE	66-71
DALBY® RANGE	72-77
TUFF FORM® RANGE	78-87
SCREEDMASTER® RANGE	88-93
LEVEL BEST RANGE	94-101

AKW TRADITIONAL TRAYS	102-117
CUT-TO-LENGTH 700 TRAY	102
CUT-TO-LENGTH 760 TRAY	102
WALKER TRAY	103
WHEELER TRAY	103
PENTA TRAY	104
SOLIHULL TRAY	104
AQUADUCT 1800 TRAY	105
HI-MED & HI-LO TRAY	105
STAINLESS STEEL SUPPORT KITS	106
UNIVERSAL ENCLOSURE	107
STANDARD 900 TRAY	107
DOUGLAS TRAY	108

ERIN TRAY	108
GLEN TRAY	109
RAMSEY TRAY	109
INSET ENCLOSURE	110
TOPLINE ENCLOSURE	110
PENTACUBE ENCLOSURE	111
STAY-DRY TRAY	111
TRIM FLO TRAY	112
EASY FLO TRAY	112
COMPACT TRAY	113
OPTIMA TRAY	113
TYNE TRAY	114
TUK-A-WAY TRAY	114
MAXIM CORNER ENCLOSURE	115
MULTI STABLE DOOR ENCLOSURE	115
DECKSTER 700 TRAY	116
DECKSTER 850 TRAY	116
DECKSTER 900 TRAY	117

CUBICLES	118-121
STANDALONE SHOWER CUBICLES	118-119
SHOWERLOO SHOWER CUBICLES	120-121

SHOWER SCREENS & ACCESSORIES	122-167
STANDARD SCREENS	124-141
WET FLOOR SCREENS	142-151
LEVEL BEST SCREENS	152-153
SLIDING SCREENS	154-160
OPTIONAL EXTRAS	161
HANDLES & LATCHES	162
CURTAIN RAILS	163
MADE-TO-MEASURE SCREENS	164-167

WASTE SYSTEMS	168-175
DIGITAL PUMPS	168-169
MANUAL PUMPS	170-171
PUMPED WASTES	172-173
GRAVITY WASTES	174
SHOWERS	175

DAILY LIVING PRODUCTS	176-201
1900 SERIES	
HEAVY DUTY GRAB RAIL	178-179
1600 SERIES	
NATURAL GRIP GRAB RAIL	180-181
1400 SERIES	
LARGE FLUTED GRAB RAIL	182-183
1200 SERIES	
STAINLESS STEEL GRAB RAIL	184
1000 SERIES	
MILD STEEL FLAT END GRAB RAIL	185
1700 SERIES	
SPECIAL PURPOSE GRAB RAIL	186-187
1800 SERIES	
FOLD UP GRAB RAIL	188
FREESTANDING SHOWER SEATS	189
4000 SERIES - SHOWER SEATS	190-194
POLISHED STAINLESS	
STEEL SHOWER SEATS	195
2000 SERIES	
SHOWER SEATS	196-197
ABBAY MOULDED BATHSEAT	198
TROMODE SLATTED BATH BOARDS	199
BARIATRIC PRODUCT RANGE	200-201

BATHROOM PRODUCTS	202-213
TOILETS & CISTERNS	204-206
TOILET SEATS	207
ALARM SYSTEM	207
WASH BASINS	208-209
TAPS	209
BATHROOM ACCESSORIES	210-213

DOC M	214-221
PACK OPTIONS 1-4	218-221

KITCHENS	222-245
WORCESTER KITCHEN	224-229
INDEPENDENCE KITCHEN	230-239
KITCHEN ACCESSORIES	240
SINKTOPS & TAPS	241
KITCHEN APPLIANCES	242-243
RISE AND FALL UNITS	244
WORKTOP AND DOOR OPTIONS	245

MOBILITY RAMPS	226-249
STANDARD RAMPS	247
FOLDING ACCESS RAMPS	248
THRESHOLD RAMPS	249
ADJUSTABLE PLATFORMS	249

EXTRAS	250-253
ORDER FORM	250
GENERAL INFORMATION	251
LOCATION / DIRECTIONS	252
LEGAL INFORMATION	253



BATHROOM PRODUCTS

AKW now offer a full range of sanitary ware and bathroom accessories for a complete bathroom solution.

FEATURES

- Raised height toilet pans for easy access and side transfer
- Screw down cistern lids for safety & security
- Ergonomic for easy access or side transfer
- Soft close toilet seats and lids (suitable for side transfer)
- Ergonomically designed concave washbasin
- Range of dispensers

AKW460L - CLOSE COUPLED TOILET PAN

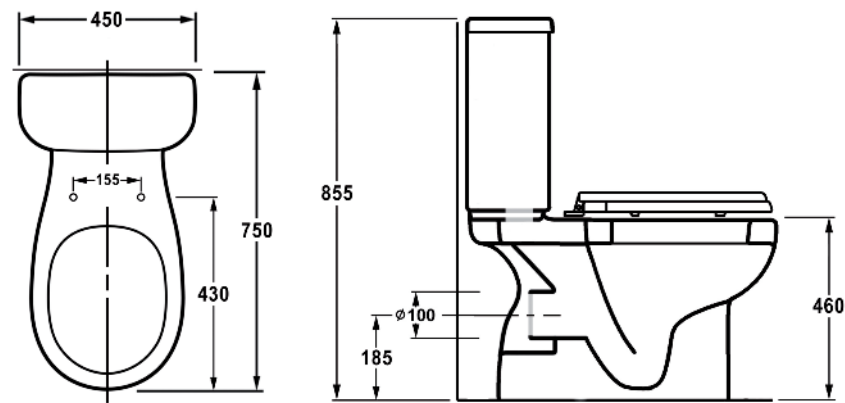
AKW460L close coupled raised height long projection toilet pan has been designed specifically for use in AKW Doc M packs.

FEATURES & SPECIFICATION:

- Raised height
- Large footprint
- 750mm projection to assist side transfer
- Manufactured from White Vitreous China
- Conforms to BS EN997
- CE Certified
- 4 point fixing to floor
- Height with toilet seat is 480mm, which complies to Doc M guidelines



TOILET PAN: 23160



AKW460S - CLOSE COUPLED TOILET PAN

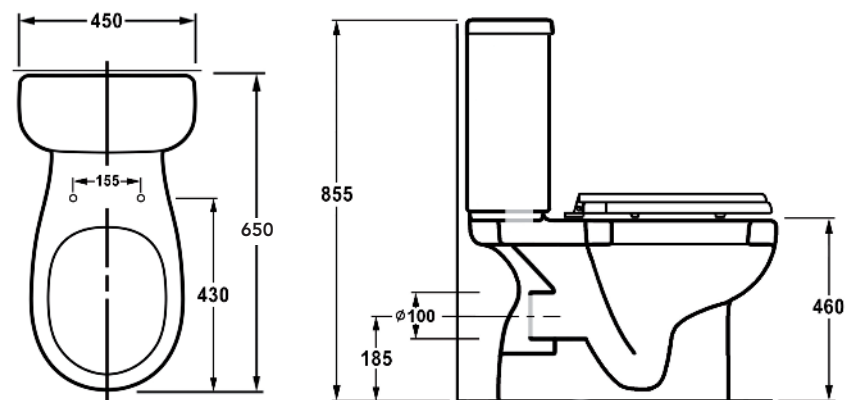
AKW460S close coupled raised height long projection toilet pan has been designed specifically for use in AKW Doc M packs.

FEATURES & SPECIFICATION:

- Raised height
- Large footprint
- 650mm projection
- Manufactured from White Vitreous China
- Conforms to BS EN997
- CE Certified
- 4 point fixing to floor
- Height with toilet seat is 480mm, which complies to Doc M guidelines



TOILET PAN: 23162



RAISED HEIGHT BACK TO WALL TOILET PAN

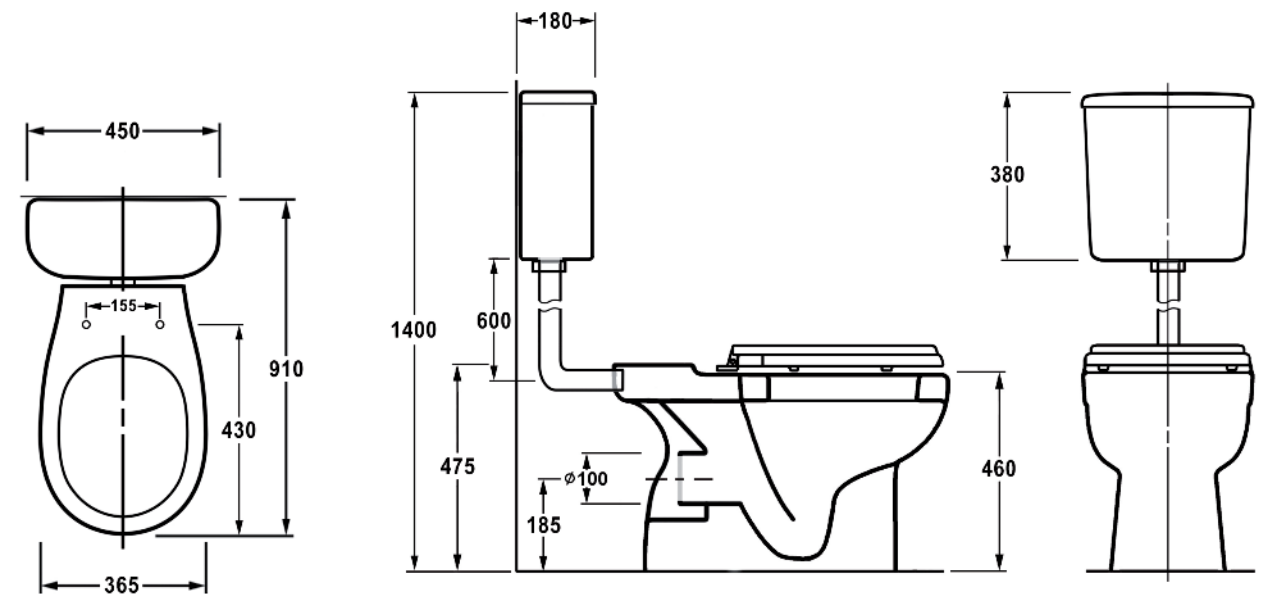
AKW460U is designed for use with the AKW low level cistern and padded back rest.

FEATURES & SPECIFICATION:

- Raised height
- Large footprint
- Manufactured from White Vitreous China
- Conforms to BS EN997
- CE Certified
- 4 point fixing to floor
- Height with toilet seat is 480mm, which complies to Doc M guidelines



TOILET PAN: 23161



ACCREDITATIONS



TOILETS & CISTERNS

CISTERN & FLUSH HANDLE

AKW Cisterns have been designed for use with the AKW toilet pan range. Included is a spatula dual flush handle with complete flush mechanism & fill valve. There are two available options:

- AKW close coupled cistern for use with AKW460L & AKW460S toilet pans
- AKW low level cistern for use with AKW460U

FEATURES & SPECIFICATION:

- Manufactured from White Vitreous China
- Screw down lid for added safety and security.
- Dual Flush 6 & 4 litre for maximum water efficiency
- WRAS approval to EN997 standards
- Non Handed
- Low level cistern comes complete with a 760 x 305mm flush pipe

LOW LEVEL CISTERN: 23164
CLOSE COUPLED CISTERN: 23163



TOILETS & CISTERNS

FLUSH HANDLE

The AKW flush handle combines both water saving and usability thanks to the spatula shaped design and dual flush operation. Only for use with AKW cistern.

FEATURES & SPECIFICATION:

- Non reflective Satin Chrome finish for partially sighted users
- Easy operation using a hand, closed fist or elbow
- Dual Flush give either a 6 or 4 litre flush
- Non Handed – fits either left or right

SPATULA FLUSH HANDLE: 23165



TOILET SEATS

ERGONOMIC TOILET SEAT

All AKW toilet seats have strong metal hinges and lugs, which grip the inside of the pan to give added strength making them suitable for any situation where side transfer or extra stability is required. Contoured for maximum comfort the AKW range of toilet seats has been carefully designed to meet end user requirements. Available in blue and white, with and without lid.

FEATURES & SPECIFICATION:

- Blue colour option to provide adequate contrast for visually impaired users
- Strong Metal soft close hinges
- Suitable for side transfer – lugs grip inside rim of toilet pan to prevent sideways movement
- Ergonomic design
- Easy installation
- Easy to clean

BLUE TOILET SEAT WITH LID: 23124
WHITE TOILET SEAT WITH LID: 23122
BLUE TOILET SEAT WITH NO LID: 23125
WHITE TOILET SEAT WITH NO LID: 23123



ALARM SYSTEMS

AL100 ALARM SYSTEM

Emergency audio alarm with pull cord allows users to raise an alarm from within a closed room such as a toilet. The alarm has a green 'power on' light and a flashing red 'alarm' light accompanied by an audio signal when triggered. The AKW System has been designed to BS8300:2009 guidelines.

FEATURES & SPECIFICATION:

- Easy to operate control panel with 2 LED's, Green: power, Red: alarm activated.
- Reset Switch
- Long pull cord with two red bangles
- 12V DC Power supply
- 90dbA
- CE Certified
- Can be connected to a 3A fused switched spur or plugged into a dedicated 3A fused, 13A plug and 230V AC supply socket

EMERGENCY ALARM & PULL CORD: 23143



WASH BASINS

FINGER RINSE WASH BASIN

Compact 400mm wash basin specifically designed for use with the AKW Doc M pack.

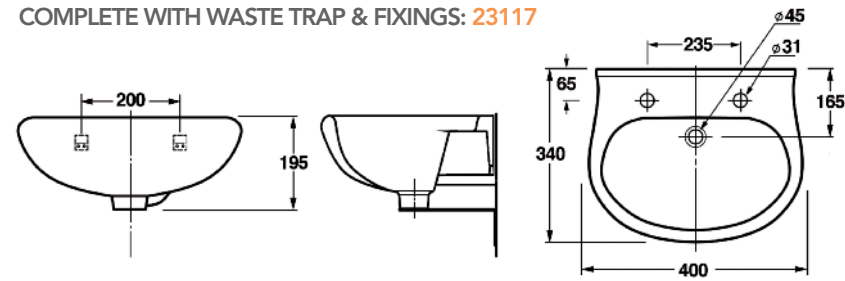
FEATURES & SPECIFICATION:

- Dimensions: 400mm (w) x 340mm (d)
- Additional bracket under washbasin for extra support
- Supplied with a waste
- Non-handed – there are two tap holes available
- Easy installation



WASH BASIN- 2 TAP HOLE

COMPLETE WITH WASTE TRAP & FIXINGS: 23117



WASH BASINS

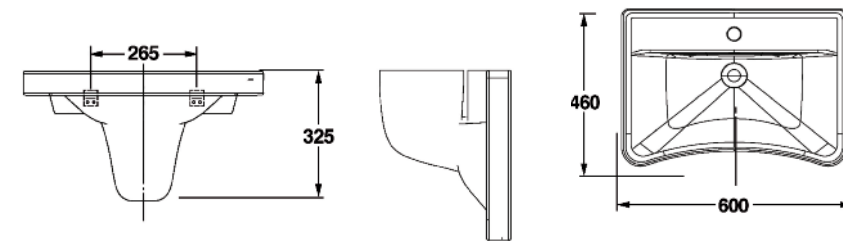
CONCAVE WASH BASIN

FEATURES & SPECIFICATION:

- Ergonomically designed for wheelchair or perching stool users
- Concaved in the center to allow closer access to basin and taps
- 600mm (w) x 460mm (d)
- Includes waste trap
- Shroud Included



AKW CONCAVE WASH BASIN: 23115



WASH BASINS

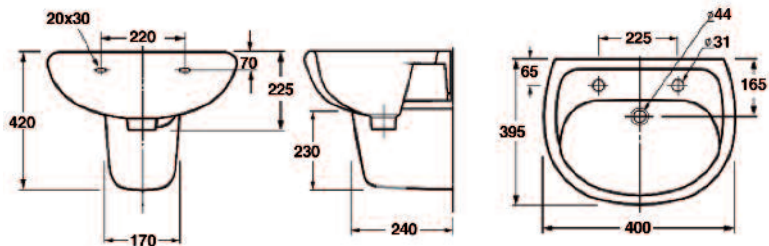
450MM WIDE WASH BASIN

FEATURES & SPECIFICATION:

- 450mm (w) x 395mm (d)
- Supplied with a shroud to cover waste
- Includes waste trap
- Shroud Included



2 TAP HOLE WASH BASIN 450MM WIDE: 23126



TAPS

TMV3 THERMOSTATIC MIXER TAP

The TMV3 thermostatic mixer tap has an extended lever for easy operation using a closed fist or elbow

FEATURES & SPECIFICATION:

- TMV3 approved to prevent scalding
- Integrated mixer valve for improved hygiene
- Non reflective satin chrome finish for partially sighted users



TMV3 THERMOSTATIC MIXER TAP: 23116



MONOBLOC SPRAY MIXER TAP

FEATURES & SPECIFICATION:

- For use with one or two tap hole wash basins
- Non reflective satin chrome finish
- Easy to install
- Easy to use long handle



TMV3 THERMOSTATIC MIXER TAP: 23118



WASH BASINS

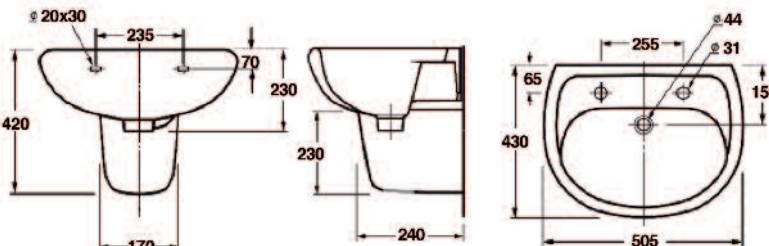
505MM WIDE WASH BASIN

FEATURES & SPECIFICATION:

- 505mm (w) x 430mm (d)
- Supplied with a shroud to cover waste
- Includes waste trap
- Shroud Included



2 TAP HOLE WASH BASIN 505MM WIDE: 23127



HAND DRYER

HAND DRYER

The AKW HD2401 2.0kw automatic hand dryer comes complete with a heavy duty steel cover and white powder coated finish making it suitable for all applications.

FEATURES & SPECIFICATION:

- Strong durable case
- High output element for rapid drying
- Installer adjustable hand proximity sensor
- 60 second auto power cut out switch
- Temperature cut off protection
- IP21 Rated
- Power supply 230V
- Weight 4.8kg
- Dimensions: W:30 H:27 D:19
- 5 year warranty



HAND DRYER HD2401: 23136

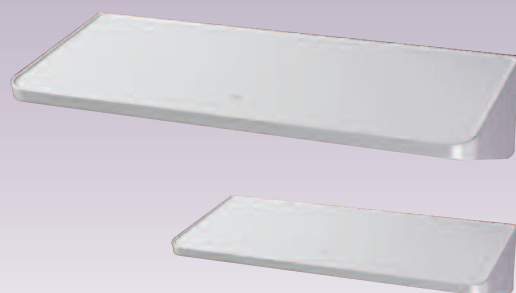
SHELVING

SHELVING

White polypropylene shelving for use next to the W/C, wash basin or showering area which can be easily removed for cleaning.

FEATURES & SPECIFICATION:

- Two sizes available
- Designed with the user in mind
- Rounded edges
- Hole for water drainage
- Small shelf next to the toilet is designed for placing a colostomy bag onto if required
- Larger shelf next to washbasin is available to place any items on when entering the bathroom
- Small shelf dimensions: 215mm wide x 185mm deep
- Large shelf dimensions: 530mm wide x 230mm deep



SMALL SHELF: 23145
LARGE SHELF: 23146

SWING BIN

SWING BIN

An easy to operate swing bin, available in white with blue lid for the visually impaired.

FEATURES & SPECIFICATION:

- Swing lid
- Easy to operate
- Wide opening
- Durable - will not rust, chip or peel
- Resists dents
- Swing top keeps waste out of sight
- Height: 61cm
- Width: 31cm
- Depth: 16mm



SWINGBIN: 23148

DISPENSERS

LIQUID SOAP DISPENSER

The AKW lever operated soap dispenser has been designed for easy operation by all users. It can be operated by hand, closed fist or elbow. The dispenser is refillable by simply topping up the soap bottle using liquid soap.

FEATURES & SPECIFICATION:

- Lever Operated – The extended blue lever provides a high contrast of colours and is easily operated by hand, closed fist, or elbow
- Refillable with liquid soap
- Manufactured from ABS plastic
- Dimensions: W:120mm H:260mm D:200mm



LEVER OPERATED SOAP DISPENSER: 23142



TOILET TISSUE DISPENSER

FEATURES & SPECIFICATION:

- Easy Installation
- Refillable using tissue up to 110 x 110mm in size
- Capacity – 240mm stack
- Lockable
- Manufactured from ABS plastic
- Dimensions: W: 135mm H:290mm D:130mm



TOILET TISSUE DISPENSER: 23138



PAPER TOWEL DISPENSER

FEATURES & SPECIFICATION:

- Easy Installation
- Large capacity for up to 350mm stack
- Accepts interleaved or C fold hand towels up to 255mm (W)
- Lockable
- Manufactured from ABS plastic
- Dimensions: W: 285mm H: 380mm D: 110mm



PAPER TOWEL DISPENSER: 23139



BACK RESTS

PADDED BACK REST

FEATURES & SPECIFICATION:

- Available in grey and blue
- To aid side transfer
- Polyurethane foam for easy cleaning

PADDED BACK REST - BLUE: 01190BU

PADDED BACK REST - GREY: 01190GR



MIRROR

MIRROR

The AKW mirror is manufactured from toughened glass making it ideal for use in public bathrooms. This mirror features an adhesive backing sheet for added safety.

FEATURES & SPECIFICATION:

- Blue high contrast border
- Manufactured from toughened glass
- Adhesive backing sheet
- 4 pre drilled fixing holes
- 1000mm high x 400mm wide

MIRROR: 23147



CLOTHES HOOKS

CLOTHES HOOKS

AKW clothes hooks have been especially designed for use in AKW Doc M packs, however their easy installation practical design makes them suitable for many other applications.

FEATURES & SPECIFICATION:

- Finished in blue for high contrast
- Quick & Easy installation
- Removable for cleaning

BLUE CLOTHES HOOKS: 23144



BATHROOM LIGHT

BATHROOM LIGHT

FEATURES & SPECIFICATION:

- Diameter: 326mm
- Depth: 105mm
- Class 1 - must be earthed
- IP54 2D surface mounted light fitting
- Supplied with 2D lamp

BATHROOM LIGHT: 23133

